

#34 Taylor Big Rib River Bridge Rehab

State of Wisconsin
 Department of Natural Resources
 dnr.wi.gov

Motorized Recreation Grant Application

For: (choose all that apply)

Form 8700-159 (R 04/22)

Page 1 of 5

Due Date: April 15

ATV/UTV Trail Aid

Snowmobile Trail Aid

Notice: Completion of this form is required under Wisconsin Statutes 23.09(26) and 23.33. Failure to complete this form will result in denial of financial assistance. Personally identifiable information found on this form is not intended to be used for any other purpose. The Department of Natural Resources (DNR) may provide this information to requesters as required by Wisconsin's Public Records law (ss. 19.31 – 19.39, Wis. Stats.).

Instructions: Applications may combine more than one source of funds. They may be submitted for consideration of traditional ATV, UTV, Snowmobile and Motorized Stewardship funding. Submit one copy of all forms and attachments. See Page 2 for necessary attachments. Send applications to your Community Services Specialist.

DNR Use Only	
Category	Number

Section 1: Applicant Information

Applicant / Organization Name Taylor County Forestry and Recreation Department			Check Recipient: Individual other than authorized individual to act on behalf of the applicant. <input checked="" type="checkbox"/> Select if the same as applicant.		
Individual Authorized to Act on Behalf of Applicant per Resolution Jake Walcisak			Check Recipient Name (Name to Appear on Check) Jake Walcisak		
Title County Forest Administrator			Title County Forest Administrator		
Address 224 S. 2nd Street			Address 224 S. 2nd Street		
City Medford	State WI	ZIP Code 54451	City Medford	State WI	ZIP Code 54451
Telephone Number (715) 785-8339		Email Address jake.walcisak@co.taylor.wi.us			

Section 2: Project Information Required for all Projects

Project Title Taylor County Rib River Bridge Rehabilitation					Current Funded Miles 0	New Miles (if applicable) 0
County Taylor	Township 32 N	Range 3	Section 28	¼ ¼ SW	GPS Coordinates: Lat. 45.22675 Long. -90.122323	

Project Description Summary

Taylor County proposes to replace the structural decking and sacrificial wear course of the Big Rib River Bridge on County Trail M. This bridge was installed in 2004 by McMullen and Pitz Construction with snowmobile and winter ATV trail aids for \$86,386. No additional funding has been allocated to this bridge since that time. The Big Rib River bridge and County Trail M are used for snowmobile and winter ATV. This 30.2 miles long trail is a major east-west connector and receives frequent use. This project includes: removing and replacing both the 2" treated lumber structural decking and 2" treated lumber sacrificial wear course. The bridge frame and steel rails are in excellent condition and do not require rehabilitation. The bridge installation was permitted by Wisconsin DNR in 2003. Permit number 3-NO-2003-61401UW. Total estimated project cost is \$29,958. Taylor County is requesting \$22,468 (75%) from the snowmobile program and \$7,490 (25%) from the ORV program.

I certify that all maintenance land use agreements are on file.

Estimated Cost

Maintenance	Acquisition	Insurance	Development	Bridge Rehab.	Trail Rehab.	Total Estimated Cost
				\$29,958.00		\$29,958.00

Leave Blank – DNR Use Only

--	--	--	--	--	--

Applicant Certification

Printed Name of Authorized Official Jake Walcisak	Official's Title County Forest Administrator
--	---

As the applicant's authorized official, I certify that, to the best of my knowledge, the information in this application is true and correct.

Jake Walcisak
 Signature of Authorized Official

4-6-23
 Date Prepared

Appendix A – Required for Bridge Rehab/Replace, New, or Reroute with New Bridge

Bridge Rehab/Replace New Bridge Reroute with new bridge

County	Township	Range	Section	¼ ¼	¼	GPS Coordinates:
Taylor	32 N	3	28	SW	SW	Lat. 45.22675 Long. -90.122323
Water Body Name			Bridge Name		County Inventory Number	
Big Rib River			Big Rib River Bridge		River Drive	
Funded Trail Name or Number (SNARS if applicable)			Has this bridge site ever received development or rehabilitation funds in the past? <input checked="" type="radio"/> Yes <input type="radio"/> No Year: <u>2004</u> \$ <u>86,386.00</u>			
Trail M						
Bridge is located on: <input checked="" type="radio"/> Private property <input type="radio"/> Public property			Old Bridge/Culvert Size <u>92x12</u> New Bridge/Culvert Size <u>92x12</u>			
Landowner Where Bridge is Located			Telephone Number		Length of Trail Use Agreement (5 year minimum)	
Rich and Barb Berger			(715) 748-4937		5	
Current maximum load		Age of Bridge	Bridge Material			
<u>19,000</u> lbs.		19 years	Steel frame and rails with two layers 2" treated decking.			
Proposed maximum load						
<u>19,000</u> lbs.						
Sponsoring Club Name			Club Contact		Telephone Number	
Snowmobile Grooming Association			Bob Meyer		(715) 437-0581	
Do you have your trail bridges posted as to maximum load? <input checked="" type="radio"/> Yes <input type="radio"/> No			What is the maximum load of the other bridges on the system if groomed with this bridge?			
What is the weight of your puller & drag/grading equipment? 16,300			25,000 lbs			
What other recreational trail uses are planned for this bridge? Winter ATV trail.						
If there are other Recreational uses planned, how much of the bridge cost will be paid for by non-snowmobile or non-ATV users? NA.						
<input checked="" type="radio"/> Yes <input type="radio"/> No Have you contacted your local <u>DNR Water Management Specialist (WMS)</u> regarding a permit? <input type="radio"/> Yes <input checked="" type="radio"/> No Is a permit needed? (Please provide any written correspondence from WMS.) <input checked="" type="radio"/> Yes <input type="radio"/> No Have you contacted your County Zoning Dept. regarding a floodplain determination? <input type="radio"/> Yes <input checked="" type="radio"/> No Will an H & H (hydrologic and hydraulic) study be required?						

Bridge Project Detailed Description

Taylor County proposes to replace the structural decking and sacrificial wear course of the Big Rib River Bridge on County Trail M. This bridge was installed in 2004 by McMullen and Pitz Construction with snowmobile and winter ATV trail aids for \$86,386. No additional funding has been allocated to this bridge since that time. The Big Rib River bridge and County Trail M are used for snowmobile and winter ATV. This 30.2 miles long trail is a major east-west connector and receives frequent use. This project includes: removing and replacing both the 2" treated lumber structural decking and 2" treated lumber sacrificial wear course. The bridge frame and steel rails are in excellent condition and do not require rehabilitation. The bridge installation was permitted by Wisconsin DNR in 2003. Permit number 3-NO-2003-61401UW. Total estimated project cost is \$29,958. Taylor County is requesting \$22,468 (75%) from the snowmobile program and \$7,490 (25%) from the ORV program.

Appendix A (continued)

Summarize Costs in Appropriate Categories:

Bridge Structure

	Quote 1	Quote 2
	<input type="radio"/> Steel <input type="radio"/> Wooden	<input type="radio"/> Steel <input type="radio"/> Wooden
Bridge Dimensions:	_____	_____
Bridge Manufacturer:	_____	_____
Design Weight Load	_____ lbs.	_____ lbs.
Cost of Structure:		
1. Engineering	\$ _____	\$ _____
2. Structure	\$ _____	\$ _____
Subtotal	\$ _____	\$ _____

	Quote 1	Quote 2
	<input type="radio"/> Contractor or <input type="radio"/> Sponsor Estimate	<input type="radio"/> Contractor or <input type="radio"/> Sponsor Estimate
Installation Costs:		
1. Engineering	\$ _____	\$ _____
2. Site Preparation	\$ _____	\$ _____
3. Abutments	\$ _____	\$ _____
4. Pilings/Piers	\$ _____	\$ _____
5. Approaches	\$ _____	\$ _____
6. Riprap	\$ _____	\$ _____
7. Labor	\$ _____	\$ _____
8. Equipment Rental	\$ _____	\$ _____
9. Culverts	\$ _____	\$ _____
10. H & H Study	\$ _____	\$ _____
11. Wetland Delineation	\$ _____	\$ _____
12. Other _____	\$ _____	\$ _____
Subtotal	\$ _____	\$ _____
Total Cost	\$ _____	\$ _____

For the application grant, you must take the lowest of the two quotes.

Entire Deck and Railing Projects Contractor Sponsor Club

Bridge Dimensions:	92x12
Design Weight Load	19,000 lbs.
1. Materials	\$ 15,908
2. Labor	\$ 14,050
Total	\$ 29,958

For use with Recreation Grant Application Forms

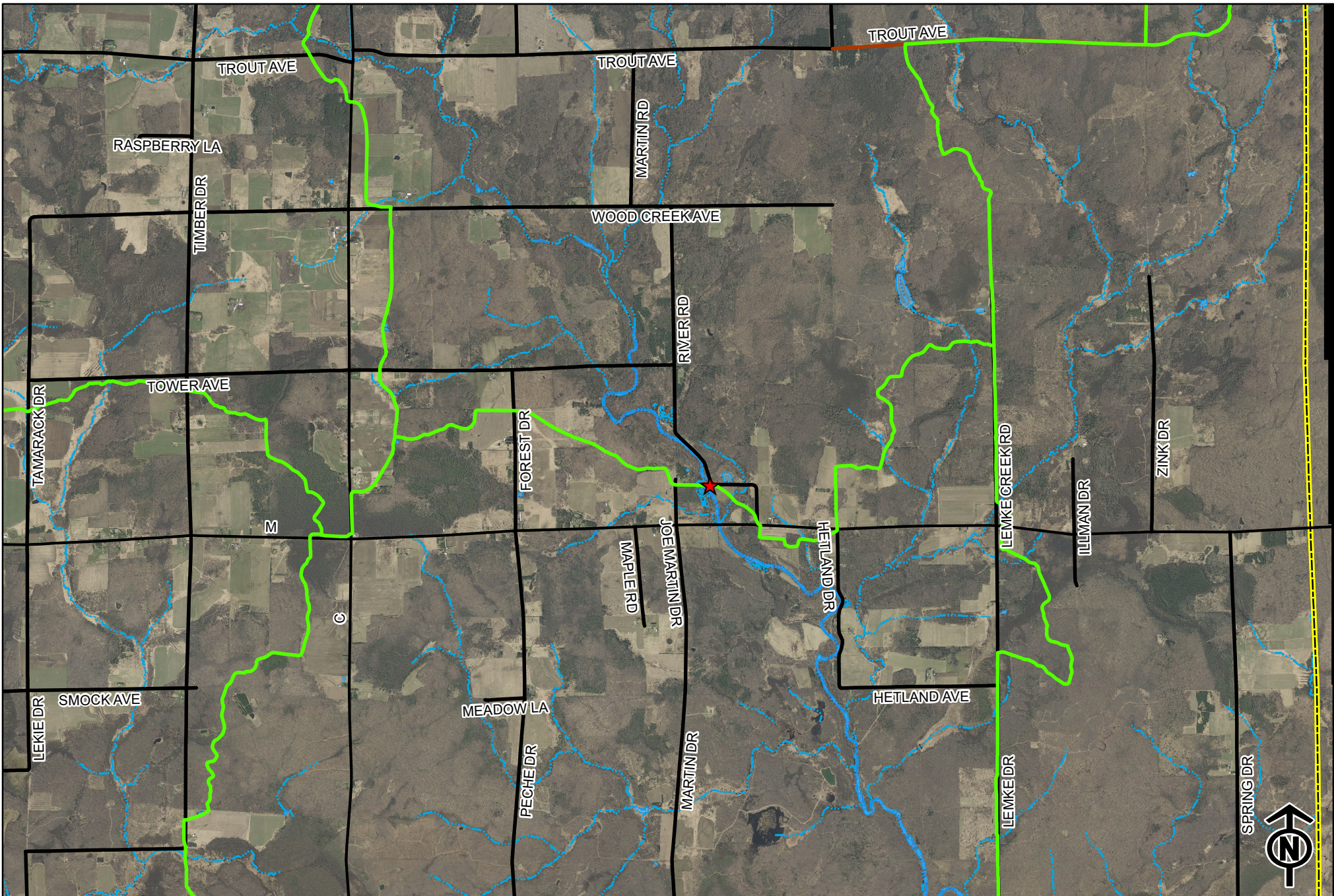
Project Name: Taylor County: Big Rib River Bridge Rehabilitation		Prepared By: Jake Walcisak	Date: 03/31/2023
County: Taylor	Project Applicant: Taylor Co. Forestry & Recreation Dept.	Landowner Name: Rich and Barb Berger	<input type="radio"/> Public <input checked="" type="radio"/> Private




Indicate - (C) Contract , (F) Force Acct., (D) Donated

	DEVELOPMENT PROJECT ITEMS <i>List by individual item or break down by Use Areas (See Item List On Back Of This Form)</i>	Quantity	Unit of Measure	Component Costs	Estimated Total Item Cost
C	Treated lumber 2"x8"x20'	215	boards	\$45.70	9,825.50
C	3" Construction lag screws	220	lbs	\$11.85	2,607.00
C	3.5" Connecting bolts	100	lbs	\$15.25	1,525.00
C	Construction Transportation	1	lump	\$2,800.00	2,800.00
C	Materials Delivery	1	load	\$1,200.00	1,200.00
C	Construction Labor	1	lump	\$12,000.00	12,000.00
TOTAL \$					\$29,957.50

NOTE:

- For development projects, contingency and indirect costs are **not** eligible expenses.
- For acquisition projects, complete the Acquisition Project Cost Estimate Section of this form.



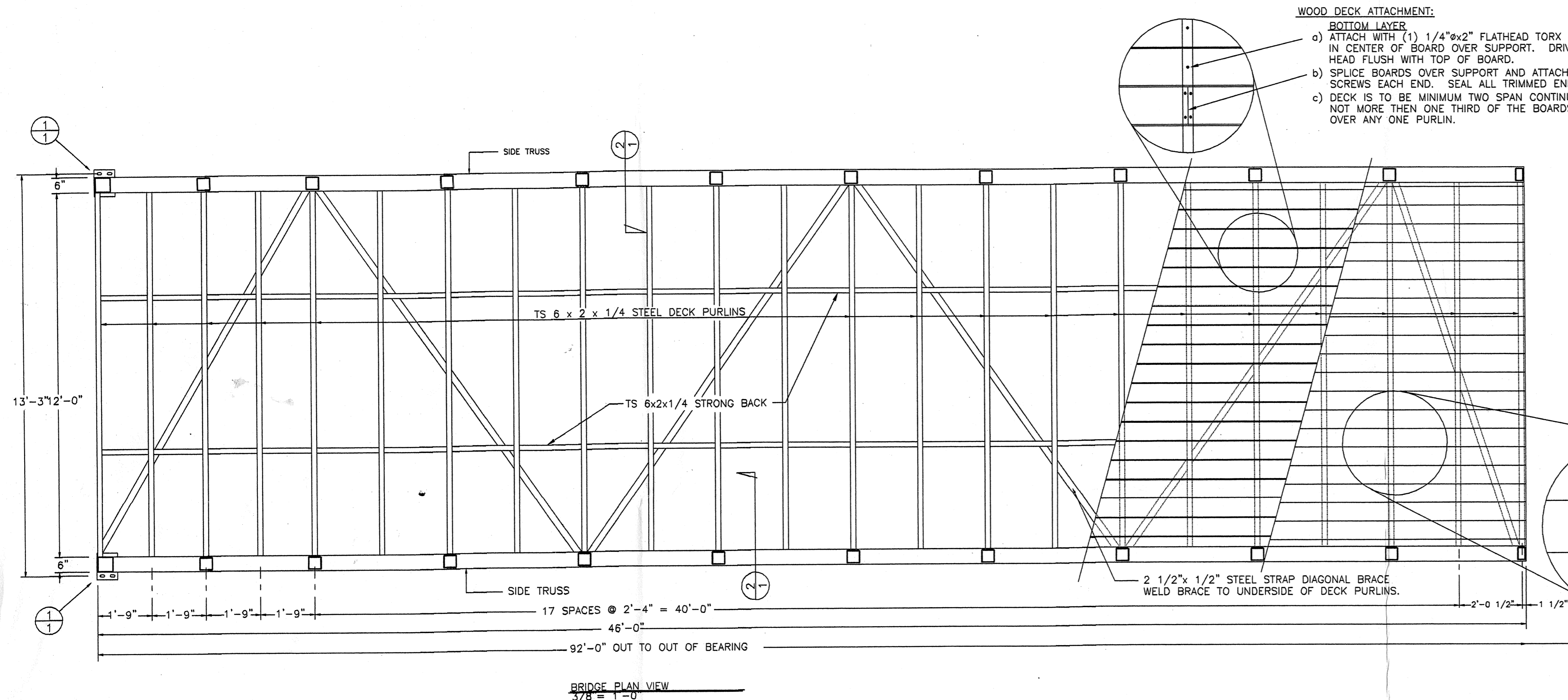
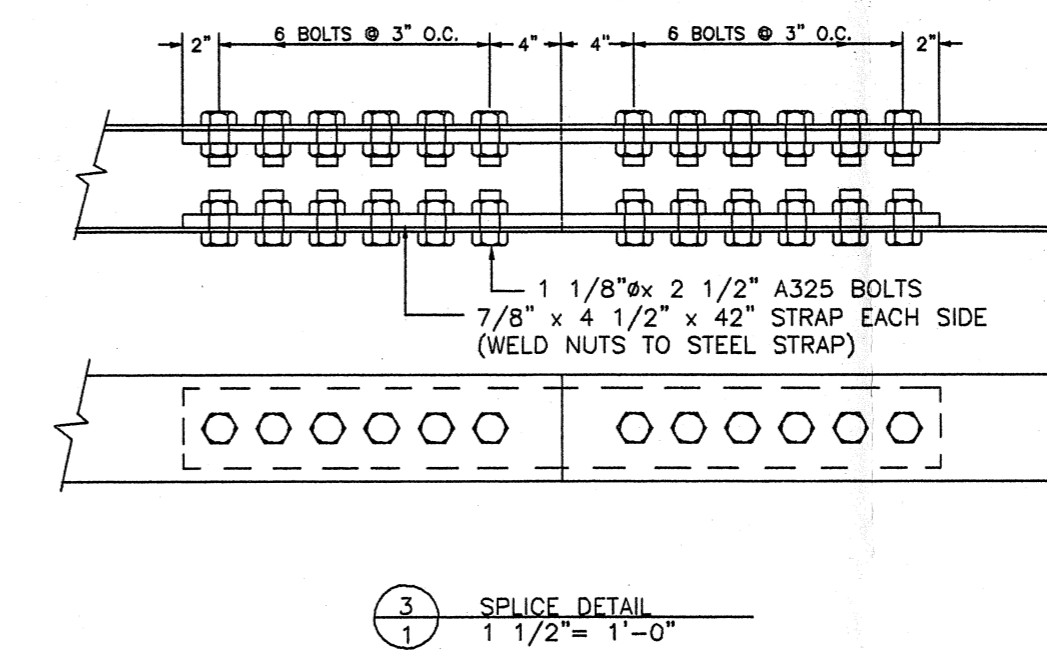
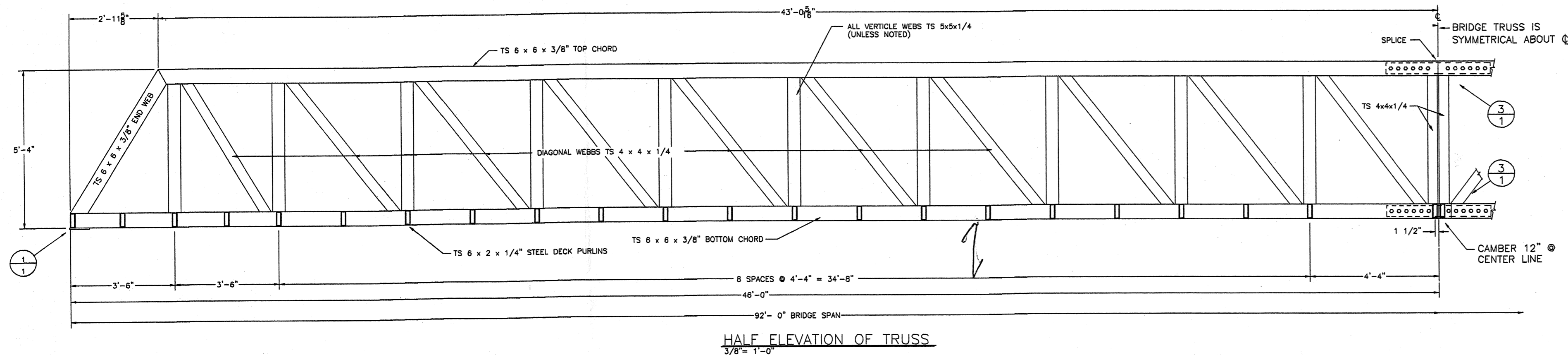
<ul style="list-style-type: none">  River River Bridge Location  Snowmobile/Winter ATV Trails  Public Roadways 	<h2 style="margin: 0;">Taylor County</h2> <h1 style="margin: 0;">Rib River Bridge Rehabilitation</h1> <p style="margin: 0;">SWSW, Section 28, T32N - R3E</p>	<p style="margin: 0;">Taylor Co. Forestry Dept.</p> <p style="margin: 0;">Mapped By: Jake Walcisak</p> <p style="margin: 0;">March 28th, 2023</p>
---	--	--



Taylor County
Rib River Bridge Rehabilitation
SWSW, Section 28, T32N - R3E

★ River River Bridge Location
— Snowmobile/Winter ATV Trails
— Public Roadways

Taylor Co. Forestry Dept.
Mapped By: Jake Walcisak
March 28th, 2023



WOOD DECK ATTACHMENT:

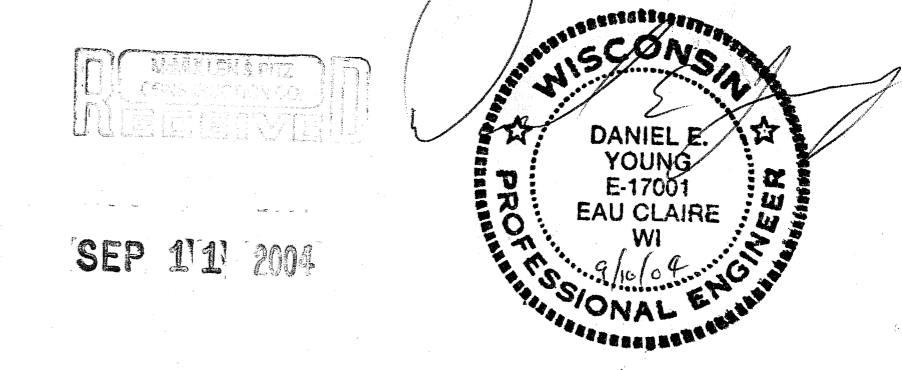
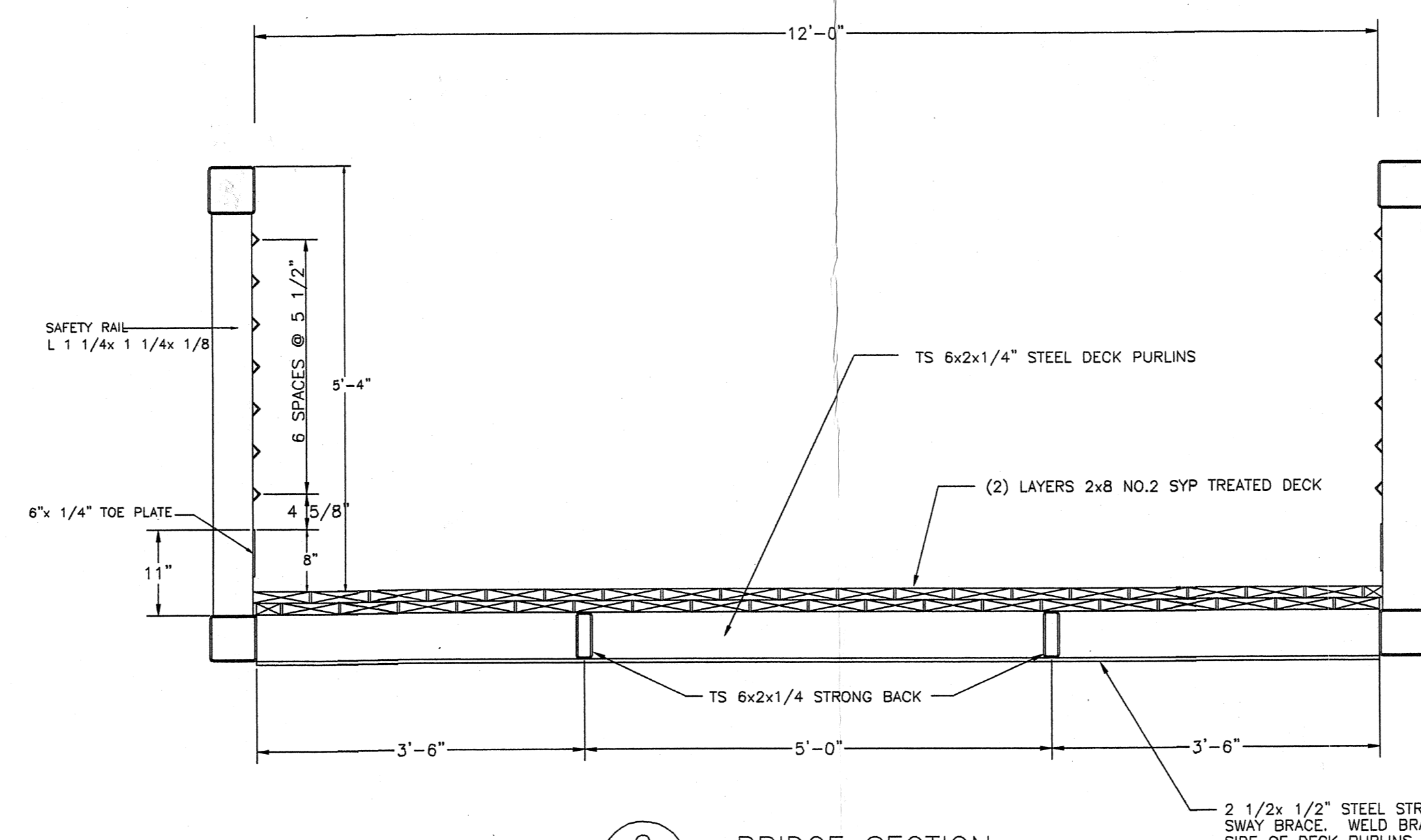
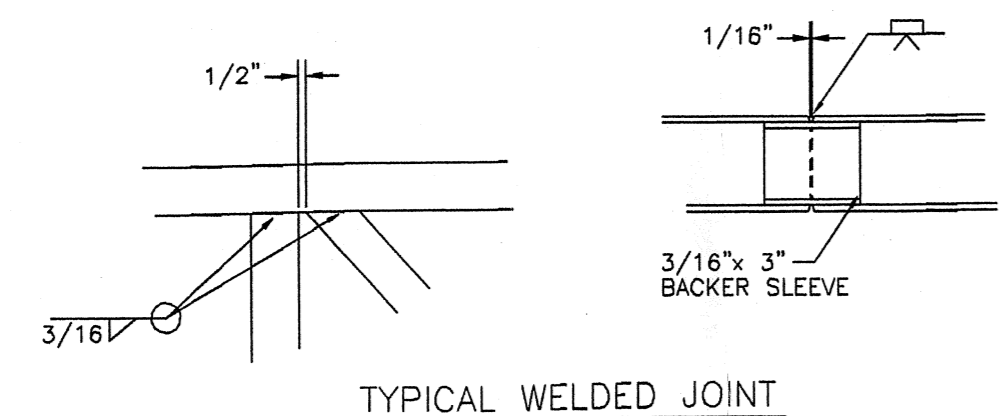
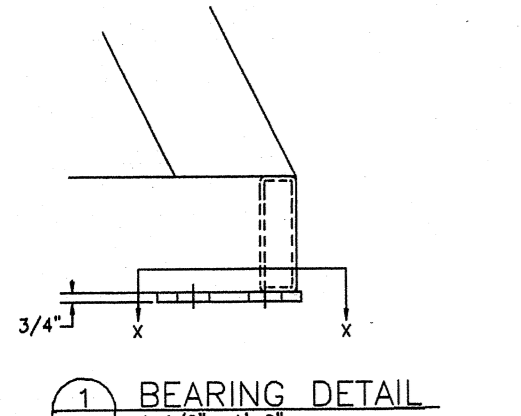
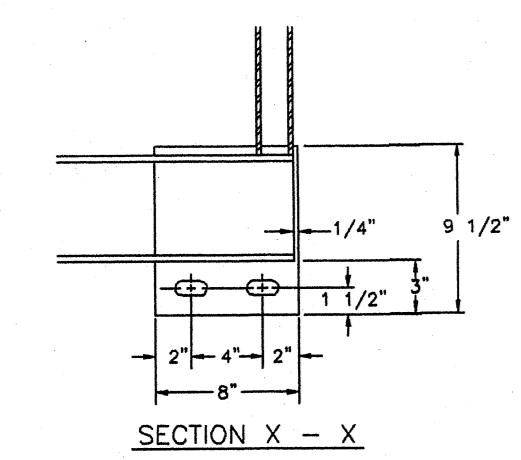
- BOTTOM LAYER**
- ATTACH WITH (1) 1/4"x2" FLATHEAD TORX SCREW IN CENTER OF BOARD OVER SUPPORT. DRIVE SCREW HEAD FLUSH WITH TOP OF BOARD.
 - SPLICE BOARDS OVER SUPPORT AND ATTACH WITH (2) SCREWS EACH END. SEAL ALL TRIMMED ENDS IN FIELD.
 - DECK IS TO BE MINIMUM TWO SPAN CONTINUOUS WITH NOT MORE THEN ONE THIRD OF THE BOARDS SPLICED OVER ANY ONE PURLIN.

WOOD DECK:

- TWO LAYERS 2x8 NO. 2 TREATED SOUTHERN YELLOW PINE.
- SPACE BOTTOM LAYER 1/4" APART AND ATTACH PER DETAIL.
 - TOP LAYER IS BUTTED TIGHT AND ATTACHED PER DETAIL.
 - DECK IS TO BE MINIMUM TWO SPAN CONTINUOUS WITH NOT MORE THEN ONE THIRD OF THE BOARDS SPLICED OVER ANY ONE PURLIN.

TOP LAYER

- ATTACH TOP BOARDS WITH (2) 1/4"x4" FLATHEAD TORX SCREWS 2" FROM THE EDGE OF THE BOARD AT SUPPORT. DRIVE SCREW HEADS 1/8" BELOW TOP OF BOARD.
- SPLICE BOARDS OVER SUPPORT AND ATTACH WITH (2) SCREWS EACH END. SEAL ALL TRIMMED ENDS IN FIELD.



BRIDGE DESIGN LOADS

- A MINIMUM UNIFORM LIVE LOAD OF 85 PSF APPLIED TO THE ENTIRE DECK SURFACE; OR
- A UNIFORM LIVE LOAD OF 40 PSF APPLIED TO THE ENTIRE DECK SURFACE PLUS A MAINTENANCE VEHICLE LOAD OF 19,000 LBS.
- THE BRIDGE IS DESIGNED TO WITHSTAND A HORIZONTAL WIND FORCE OF 35 PSF APPLIED ON THE NET PROJECTED VERTICAL SURFACE.
- A UPLIFT WIND LOAD OF 20 PSF.
- ALL RAILINGS ARE DESIGNED TO WITHSTAND A LOAD OF 200 LBS. APPLIED IN ANY DIRECTION AT ANY POINT.

GENERAL NOTES

- THE STRUCTURE UTILIZES SELF-WEATHERING LOW ALLOY STEEL MEETING ASTM A588 GRADE 50 COLD-FORMED WELDED TUBING, OR PLATE AND STRUCTURAL SHAPES A242. (1/4" MIN. STEEL THICKNESS)
- WELDS SHALL UTILIZE E70 OR E80 ELECTRODES WITH A BASE METAL COMPATIBLE WITH MEMBERS WELDED. ALL BUTT WELDS IN TENSION MEMBERS WILL BE SLEEVED AND ULTRA SONIC TESTED. TEN PERCENT OF ALL OTHER JOINTS WILL BE RANDOMLY TESTED (MAGNETIC PARTIAL) BY AN INDEPENDENT TESTING LABORATORY.
- BOLTED CONNECTIONS SHALL USE ASTM 325 TYPE 3-HIGH STRENGTH BOLTS.

92'-0" SPAN x 12'-0" WIDE BRIDGE
JOHN C. ANDERSON
 3900 Morningcrest Rd.
 Eau Claire, WI 54703

DATE: 8/8/04
 REVISED:

YOUNG ENGINEERING
 Civil/Structural Engineer
 4337 Woodhaven Ct., Eau Claire, WI 54703
 (715) 834 1588



Looking east from west approach.



Looking west from east approach.



Looking west from bridge center at the damaged bridge decking.



Looking east at the damaged bridge decking.



Looking west at the damaged bridge decking.



Bridge center connection. Looking upstream.



Looking west from east approach at inside of upstream railing.



Looking west at the outside of the downstream railing.